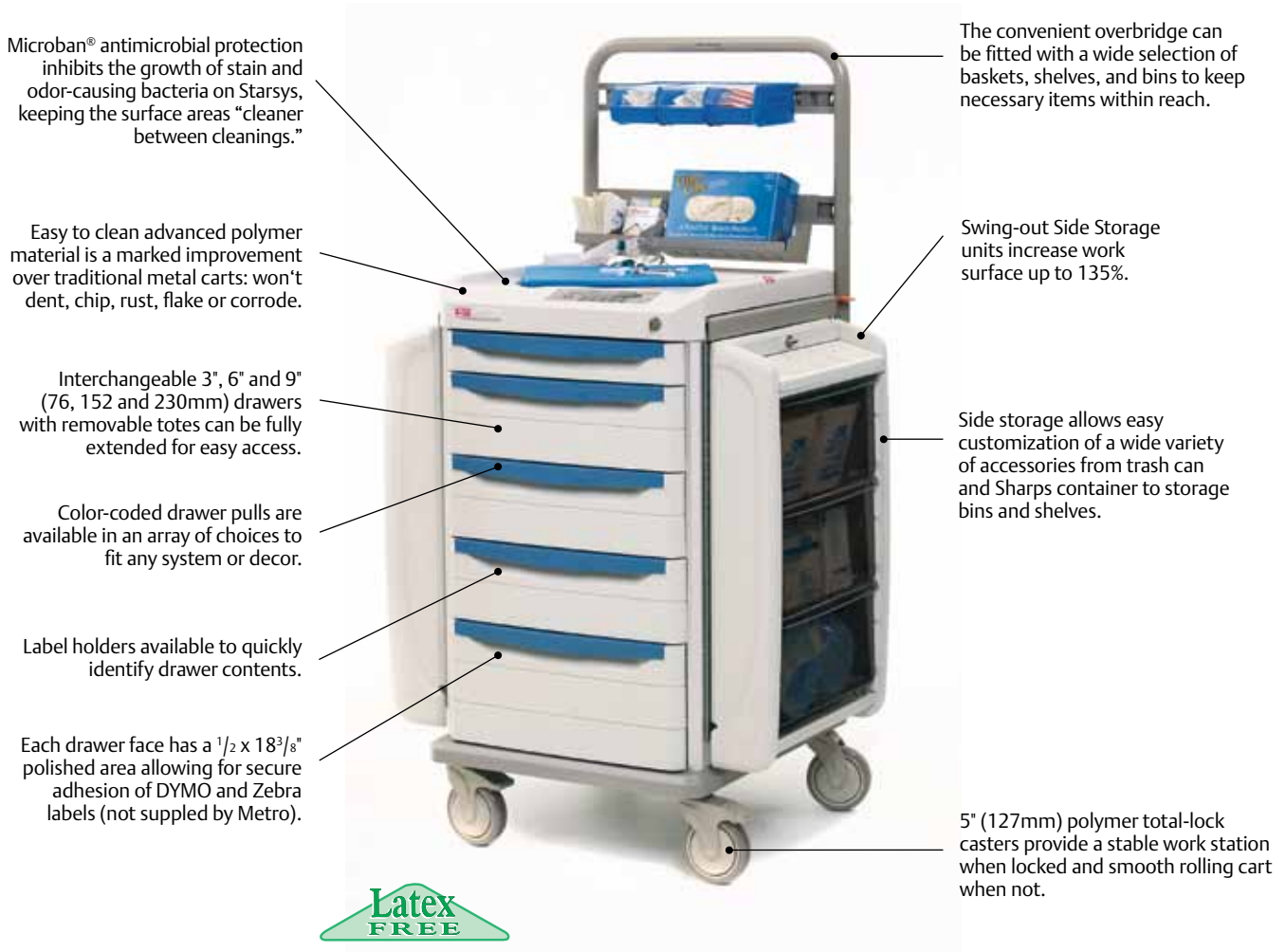


STARSYS™



Microban® antimicrobial protection inhibits the growth of stain and odor-causing bacteria on Starsys, keeping the surface areas “cleaner between cleanings.”

Easy to clean advanced polymer material is a marked improvement over traditional metal carts: won't dent, chip, rust, flake or corrode.

Interchangeable 3", 6" and 9" (76, 152 and 230mm) drawers with removable totes can be fully extended for easy access.

Color-coded drawer pulls are available in an array of choices to fit any system or decor.

Label holders available to quickly identify drawer contents.

Each drawer face has a 1/2 x 18 3/8" polished area allowing for secure adhesion of DYMO and Zebra labels (not supplied by Metro).

The convenient overbridge can be fitted with a wide selection of baskets, shelves, and bins to keep necessary items within reach.

Swing-out Side Storage units increase work surface up to 135%.

Side storage allows easy customization of a wide variety of accessories from trash can and Sharps container to storage bins and shelves.

5" (127mm) polymer total-lock casters provide a stable work station when locked and smooth rolling cart when not.



Starsys Carts

Starsys provides a complete system of enclosed carts in a wide variety of heights and system widths. When mobility is a key part of your storage needs, Starsys carts provide a broad selection of unique solutions. This modular system approach allows you to create a cart to meet your exact needs.

Starsys cart widths and depth:

The Starsys cart system is built upon a square module. Multiplying this storage module results in system widths of single 22 3/4" (578mm), double 42 1/2" (1080mm) and triple 62 1/2" (1588mm) widths. The depth on all carts is 24.9" (632mm).

Starsys cart heights:

Starsys carts are available in the following working heights: 36" (907mm), 39" (983mm), 42" (1060mm), 45" (1136mm) and 48" (1212mm)

General Overview:

Starsys carts feature 5" (127mm) polymer swivel casters. The front two casters have a Total-Lock Toe Brake (locks both the wheel and the horn).

Starsys carts feature a smooth polymer top/worksurface. If chemical resistance is a concern or heavy equipment is likely to be placed on the top of the cart, Starsys Mobile WorkCenters may be a more appropriate product selection.

An extended mobile base is required when Heavy-Duty drawers, Active Level shelving or qwikSLOT shelving is specified in a Starsys configuration. The extended mobile base adds an additional 3" (76mm) to the overall depth of the cart. The extended base combines additional counter weights with a deeper footprint to reduce any chance of overbalance when active level shelving is fully extended.

To configure a Starsys unit to your exact specifications, please visit www.metroconfigurator.com

42"

Close-up of system



General Supply with Passive Security
Cat. No. **SXRS40CM1**



Isolation
Cat. No. **SXRSISO**



Med Surg
Cat. No. **SXRSMDSRG**



Dressing
Cat. No. **SXRSDRS**

45"



Bedside Cart
Cat. No. **SXRS43CM1**



Bedside
Cat. No. **SXRSBED**



Computer Ready Bedside Cart
Cat. No. **SXRCOMPBED**



Anesthesia
Cat. No. **SXRSANES**



Central Line Cart
Cat. No. **SXRSCLINE**



Decentralized Medication
Cat. No. **SXRSDCMED**



Arthroscopic
Cat. No. **SXRSARTH**



I.V. Therapy
Cat. No. **SXRSIV**



Unit Dose Medication
Cat. No. **SXRSUDOSE**



Trauma
Cat. No. **SXRSTRAMA**

Starsys Carts are built to exact customer specifications, therefore, they are non-cancelable, non-returnable.

48"



Biomedical
Cat. No. **SXRSBIO**



Critical Care
Cat. No. **SXRSCCU**



Cast
Cat. No. **SXRSCAST**



Difficult Airway Cart
Cat. No. **SXRSDIFAIR**

Basic Single Wide, Locking Carts

(in.)	(mm)	Drawer Configuration	Cat. No.
24 ⁷ / ₈ x22 ³ / ₄ x41 ³ / ₄	1061x578x1061	1-3", 3-6", 1-9", 0-12"	SXRS1310L
24 ⁷ / ₈ x22 ³ / ₄ x41 ³ / ₄	1061x578x1061	3-3", 2-6", 1-9", 0-12"	SXRS3210L
24 ⁷ / ₈ x22 ³ / ₄ x41 ³ / ₄	1061x578x1061	5-3", 1-6", 1-9", 0-12"	SXRS5110L
24 ⁷ / ₈ x22 ³ / ₄ x44 ³ / ₄	1137x578x1137	1-3", 2-6", 2-9", 0-12"	SXRS1220L
24 ⁷ / ₈ x22 ³ / ₄ x44 ³ / ₄	1137x578x1137	4-3", 2-6", 1-9", 0-12"	SXRS4210L
24 ⁷ / ₈ x22 ³ / ₄ x44 ³ / ₄	1137x578x1137	6-3", 1-6", 1-9", 0-12"	SXRS6110L
24 ⁷ / ₈ x22 ³ / ₄ x47 ³ / ₄	1213x578x1213	0-3", 3-6", 2-9", 0-12"	SXRS0320L
24 ⁷ / ₈ x22 ³ / ₄ x47 ³ / ₄	1213x578x1213	2-3", 2-6", 2-9", 0-12"	SXRS2220L
24 ⁷ / ₈ x22 ³ / ₄ x47 ³ / ₄	1213x578x1213	3-3", 3-6", 1-9", 0-12"	SXRS3310L

Carts shown in chart have taupe pulls.



SXRS3210L



SXRS3310L

Drawer Pulls (one required per drawer) To specify color for drawer pull, order following catalog numbers for each drawer:

Dark Taupe SXRDP-TP	White SXRDP-WH	Code Blue SXRDP-CB	Red SXRDP-RE	Orange SXRDP-OR	Green SXRDP-GR	Yellow SXRDP-YL	Slate Blue SXRDP-BL	Violet SXRDP-VL	Pink SXRDP-PK	Black SXRDP-BK

Tamper-Evident (Passive Security) Locks

Provides passive security for each drawer individually. Quick visual confirmation of broken seals indicates which drawers have been opened. Includes factory-installed lockbar, drawer locktabs permanently riveted to each drawer, and 100 security seals.

Description	Cat. No.
24" (610mm) Security Bar, Drawer Tabs & Seals	SXRPSLK-24
27" (686mm) Security Bar, Drawer Tabs & Seals	SXRPSLK-27
30" (762mm) Security Bar, Drawer Tabs & Seals	SXRPSLK-30
33" (839mm) Security Bar, Drawer Tabs & Seals	SXRPSLK-33
36" (914mm) Security Bar, Drawer Tabs & Seals	SXRPSLK-36

Mechanical Keylocks

The new M300 Series Keylocks have an "Ignition-Style" design to protect keys from bending or breaking. Mechanical keylocks are a good choice for all kinds of applications and work on all types of units and accessories – carts, cabinets, drawers, doors and wall cabinets. They are available as primary locks or as backups for other types of locking systems. Each lock includes a set of two keys. Extra keys available upon request.



M300 Series Keylock



Tamper-Evident Locks

To configure a Starsys unit to your exact specifications, please visit www.metroconfigurator.com



SXRSANES
Anesthesia

SXRSANES (ANESTHESIA CART) includes:

45"H (1136mm) Mobile Shell with Mechanical Keylock (2 keys)
 (4) 6" (152mm) Polymer Drawers
 (1) 9" (229mm) Polymer Drawer
 Taupe Drawer Pulls
 Left Swingout Locking Pod with (3) Tilt Bins (Keylock/2 keys)
 Right Swingout Locking Pod with (3) Tilt Bins (Keylock/2 keys)
 Overbridge with (2) Rails
 Universal Clamp
 Laryngoscope Blade/Specimen Holder
 Half-Size Metal Utility Bin
 Full-Size Metal Utility Bin
 (3) Label/Tape Dispensers
 (6) Plastic Utility Bins w/Clear Covers
Overall Dimensions: 44.7"H (1136mm) x 34.7"W (882mm) x 24.9"D (633mm)



SXRSANES2
Anesthesia

Note: Taupe Pulls on Actual

SXRSANES2 (ANESTHESIA CART) includes:

45"H (1136mm) Mobile Shell with Electronic Keypad Lock & Backup Mechanical Keylock (2 keys)
 (4) 6" (152mm) Polymer Drawers
 (1) 9" (229mm) Polymer Drawer
 Taupe Drawer Pulls (Actual)
 Left Swingout Locking Pod with (3) Tilt Bins (Keylock/2 keys)
 Right Swingout Locking Pod with (3) Tilt Bins (Keylock/2 keys)
 Overbridge with (2) Rails
 Universal Clamp
 Laryngoscope Blade/Specimen Holder
 Half-Size Metal Utility Bin
 Full-Size Metal Utility Bin
 (3) Label/Tape Dispensers
 (6) Plastic Utility Bins w/Clear Covers
Overall Dimensions: 44.7"H (1136mm) x 34.7"W (882mm) x 24.9"D (633mm)



SXRSARTH
Arthroscopic

SXRSARTH (ARTHROSCOPIC CART) includes:

45"H (1136mm) Mobile Shell with Mechanical Keylock (2 keys)
 (4) 6" (152mm) Polymer Drawers
 (1) 9" (229mm) Polymer Drawer
 Taupe Drawer Pulls
Left Swingout Pod with Top Locking Tilt Bin (Keylock/2 keys)
 Sharps Container Bracket
Right Swingout Non-Locking Pod
 Podtray with Dividers
 Tiltout Bin
 Waste Basket & Holder
Overbridge with (2) Rails
 Wire Supply Basket
 (6) Plastic Utility Bins w/Clear Covers
Overall Dimensions: 44.7"H (1136mm) x 34.7"W (882mm) x 24.9"D (633mm)



SXSBED
Bedside Cart

SXRSBED (BEDSIDE CART) includes:

- 45"H Mobile Shell with Mechanical Keylock (2 keys)
- (4) 3" (76mm) Polymer Drawers
- (2) 6" (152mm) Polymer Drawers
- (1) 9" (229mm) Polymer Drawer
- (1) 3" Drawer Divider Kit
- Pink Drawer Pulls

Left Fixed Pod

Chart Holder

Tiltout Bin

Right Fixed Pod with (3) Locking Tilt Bins

Overall Dimensions: 44.7"H (1136mm) x 34.7"W (882mm) x 24.9"D (633mm)



SXRSBIO
Biomedical Cart

SXRSBIO (BIOMEDICAL CART) includes:

- 48"H (1212mm) Non-Locking Mobile Shell
- (1) 3" (76mm) Polymer Drawer
- (1) 6" (152mm) Polymer Drawer
- (3) 9" (229mm) Polymer Drawers
- Slate Blue Drawer Pulls

Left Swingout Non-Locking Pod

Pod Tray w/Dividers

(3) Tilt Bins

Right Swingout Non-Locking Pod

Pod Tray w/Dividers

(3) Tilt Bins

Overbridge with Shelf & Accessory Rail

Utility/IV Pole & Clamp

Overall Dimensions: 47.7"H (1212mm) x 34.7"W (882mm) x 24.9"D (633mm)



SXRSCAST
Cast Cart

SXRSCAST (CAST CART) includes:

- 48"H (1212mm) Non-Locking Mobile Shell
- (2) 3" (76mm) Polymer Drawers
- (2) 6" (152mm) Polymer Drawers
- (2) 9" (229mm) Polymer Drawers
- Slate Blue Drawer Pulls

(1) 3" Drawer Divider Kit

Left Swingout Non-Locking Pod

Pod Tray w/Dividers

(3) Tilt Bins

Right Fixed Non-Locking Pod

Pod Tray w/Dividers

(1) Tilt Bin

Waste Basket & Holder

Overbridge with (2) Accessory Rails

Wire Supply Basket

Overall Dimensions: 47.7"H (1212mm) x 34.7"W (882mm) x 24.9"D (633mm)



SXRSCLINE
Central Line Cart

SXRSCLINE (CENTRAL LINE CART) includes:

- 42"H (1060mm) Mobile Shell with Electronic Keypad Lock & Backup
- Mechanical Keylock (2 keys)
- Full-Extension Keyboard Tray
- (3) 3" (76mm) Polymer Drawers
- (2) 6" (152mm) Polymer Drawers
- (1) 9" (229mm) Polymer Drawer
- (2) 3" Drawer Divider Kits
- (1) 6" Drawer Divider Kit
- Taupe Drawer Pulls
- Left Swingout Pod with Top-Locking Tilt Bin (Keylock/2 keys)
- Lockable Sharps Container & Glove Box Holder
- Right Swingout Pod with Top-Locking Tilt Bin (Keylock/2 keys)
- Waste Basket & Holder
- Overall Dimensions: 41.7"H (1060mm) x 22.7"W (577mm) x 24.9"D (633mm)



SXRSCMPBED
Computer-Ready Bedside Cart

SXRSCMPBED (COMPUTER-READY BEDSIDE CART) includes:

- 42"H (1060mm) Mobile Shell with Mechanical Keylock (2 keys)
- Full-Extension Keyboard Tray
- (2) 3" (76mm) Polymer Drawers
- (2) 6" (152mm) Polymer Drawers
- (1) 9" (229mm) Polymer Drawer
- Slate Blue Drawer Pulls
- Hospital Grade 6-Outlet Power Strip with Cord Wrap
- 3" Diameter Cord Management Grommet w/Cover
- Articulating Laptop Arm
- Overall Dimensions: 41.7"H (1060mm) x 22.7"W (577mm) x 24.9"D (633mm)



SXRSCCU
Critical Care Cart

SXRSCCU (CRITICAL CARE CART) includes:

- 48"H N (1212mm) on-Locking Mobile Shell
- (1) 3" (76mm) Polymer Drawer
- (1) 6" (152mm) Polymer Drawer
- (3) 9" (229mm) Polymer Drawers
- Slate Blue Drawer Pulls
- (1) 3" Drawer Divider Kit
- Left Swingout Non-Locking Pod
- Pod Tray w/Dividers
- (3) Tilt Bins
- Right Fixed Non-Locking Pod
- Pod Tray w/Dividers
- (1) Tilt Bin
- Waste Basket & Holder
- Overbridge with Shelf & Accessory Rail
- Wire Supply Basket
- (6) Blue Plastic Utility Bins w/Clear Covers
- Overall Dimensions: 47.7"H (1212mm) x 34.7"W (882mm) x 24.9"D (633mm)



SXRSDCMED
Decentralized Medication Cart

SXRSDCMED (DECENTRALIZED MEDICATION CART) includes:
 45"H (1136mm) Mobile Shell with Mechanical Keylock (2 keys)
 (1) 3" (76mm) Polymer Drawer with Locking Cover (Keylock/2 keys)
 (3) 3" (76mm) Polymer Drawer
 (2) 6" (152mm) Polymer Drawer
 (1) 9" (229mm) Polymer Drawer
 Taupe Drawer Pulls
Left Swingout Pod with Top-Locking Tilt Bin (Keylock/2 keys)
 Waste Basket & Holder
Right Swingout Pod with (3) Locking Tilt Bins (Keylock/2 keys)
Overbridge with (2) Rails
 Half-Size Metal Utility Bin
 Label/Tape Dispenser
 Wire Supply Basket
 (6) Plastic Utility Bins w/Clear Covers
Overall Dimensions: 44.7"H (1136mm) x 34.7"W (882mm) x 24.9"D (633mm)



SXRSDRS
Dressing Cart

SXRSDRS (DRESSING CART) includes:
 42"H (1060mm) Mobile Shell with Mechanical Keylock (2 keys)
 (3) 3" (76mm) Polymer Drawers
 (2) 6" (152mm) Polymer Drawers
 (1) 9" (229mm) Polymer Drawer
 Taupe Drawer Pulls
Overall Dimensions: 41.7"H (1060mm) x 22.7"W (577mm) x 24.9"D (633mm)



SXRISISO
Isolation Cart

SXRISISO (ISOLATION CART) includes:
 42"H (1060mm) Mobile Shell with Mechanical Keylock (2 keys)
 (2) 6" (152mm) Polymer Drawers
 (2) 9" (229mm) Polymer Drawers
 Yellow Drawer Pulls
 IV Pole
Overall Dimensions: 41.7"H (1060mm) x 22.7"W (577mm) x 24.9"D (633mm)



SXRSIV
I.V. Therapy Cart

SXRSIV (I.V. THERAPY CART) includes:
 45"H Mobile Shell with Mechanical Keylock (2 keys)
 (5) 3" (76mm) Polymer Drawers
 (2) 9" (229mm) Polymer Drawers
 Green Drawer Pulls
 (4) 3" Drawer Divider Kits
Left Swingout Pod with 3 Locking Tilt Bins (Keylock/2 keys)
 Pod Tray with Dividers
Right Swingout Pod with 3 Locking Tilt Bins (Keylock/2 keys)
 Pod Tray with Dividers
 IV Pole
Overall Dimensions: 44.7"H (1136mm) x 34.7"W (882mm) x 24.9"D (633mm)



SXRSMDSRG
Med Surg Cart

SXRSMDSRG (MED SURG CART) includes:
 42"H (1060mm) Mobile Shell with Mechanical Keylock (2 keys)
 (1) 3" (76mm) Polymer Drawer
 (3) 6" (152mm) Polymer Drawers
 (1) 9" (229mm) Polymer Drawer
 Green Drawer Pulls
 (1) 3" Drawer Divider Kit
Overall Dimensions: 41.7"H (1060mm) x 22.7"W (577mm) x 24.9"D (633mm)



SXRSTRAMA
Trauma Cart

SXRSTRAMA (TRAUMA CART) includes:
 45"H (1136mm) Mobile Shell with Mechanical Keylock (2 keys)
 (3) 3" (76mm) Polymer Drawers
 (4) 6" (152mm) Polymer Drawers
 (2) 3" Drawer Divider Kits
 Slate Blue Drawer Pulls
Left Swingout Pod with Top-Locking Tilt Bin (Keylock/2 keys)
 Pod Tray with Dividers
 Waste Basket & Holder
Right Swingout Pod with Top-Locking Tilt Bin (Keylock/2 keys)
 (1) Middle non-locking Tilt Bin
 (1) Sharps Container Bracket
Overbridge with (1) Shelf & (1) Rail
 Utility/IV Pole & Clamp
 Wire Supply Basket
Overall Dimensions: 44.7"H (1136mm) x 34.7"W (882mm) x 24.9"D (633mm)



SXRSUDOSE
Unit Dose Medication Cart

SXRSUDOSE (UNIT DOSE MEDICATION CART) includes:

- 45"H (1136mm) Mobile Shell with Electronic Touchpad & Backup Mechanical Keylock (2 keys)
- (1) 4-Level Medication Cassette (Keylock/2 keys)
- (6) 3" Cassette Bins
- (8) 4" Cassette Bins
- (3) 6" Cassette Bins
- (1) 3" (76mm) Polymer Drawer with Locking Cover (Keylock/2 keys)
- (1) 6" (152mm) Polymer Drawer
- (1) 9" (229mm) Polymer Drawer
- (1) 3" Drawer Divider Kit
- Slate Blue Drawer Pulls
- Left Swingout Pod
- Pod Shelf & Cup Holder
- Waste Basket & Holder
- Right Swingout Pod with Top-Locking Tilt Bin (includes Pod Tray & Dividers) (Keylock/2 keys)
- (1) Sharps Container Bracket
- Overall Dimensions: 44.7"H (1136mm) x 34.7"W (882mm) x 24.9"D (633mm)



SXRS43CM4
Note: Taupe Pulls on Actual

SXRS43CM4 includes:

- 45"H (1136mm) Mobile Shell with Mechanical Keylock (2 keys)
- (4) 3" (76mm) Polymer Drawers
- (2) 6" (152mm) Polymer Drawers
- (1) 9" (229mm) Polymer Drawer
- (2) 3" Drawer Divider Kits
- Taupe Drawer Pulls (Actual)
- Left Swingout Locking Pod (Keylock/2 keys)
- (3) Tiltout Bins
- Right Fixed Pod
- Waste Basket & Holder
- Overall Dimensions: 44.7"H (1136mm) x 22.7"W (577mm) x 24.9"D (633mm)



SXRS43CM6

SXRS43CM6 includes:

- 45"H (1136mm) Mobile Shell
- Passive Lock Security System
- Bag of 100 Red Security Seals
- (2) 3" (76mm) Polymer Drawers
- (3) 6" (152mm) Polymer Drawers
- (1) 9" (229mm) Polymer Drawer
- Slate Blue Drawer Pulls
- Left Swingout Non-Locking Pod
- Pod Shelf
- Sharps Container Bracket
- Waste Basket & Holder
- Right Swingout Non-Locking Pod
- (3) Tilt Bins
- Overall Dimensions: 44.7"H (1136mm) x 34.7"W (882mm) x 24.9"D (633mm)



SXRS40CM1

SXRS40CM1 includes:
 42"H (1060mm) Mobile Shell
Passive Lock Security System
 Bag of 100 Red Security Seals
 (1) 3" (76mm) Polymer Drawer
 (3) 6" (152mm) Polymer Drawers
 (1) 9" (229mm) Polymer Drawer
 Slate Blue Drawer Pulls
Overall Dimensions: 41.7"H (1060mm) x 22.7"W (577mm) x 24.9"D (633mm)



SXRS43CM1

SXRS43CM1 includes:
 45"H (1136mm) Non-Locking Mobile Shell
 (1) 6" (152mm) Polymer Drawers
 (3) 9" (229mm) Polymer Drawer
 Taupe Drawer Pulls
Overall Dimensions: 44.7"H (1136mm) x 22.7"W (577mm) x 24.9"D (633mm)



SXRS43CM3

SXRS43CM3 includes:
 45"H (1136mm) Non-Locking Mobile Shell
 (4) 3" (76mm) Polymer Drawers
 (2) 6" (152mm) Polymer Drawers
 (1) 9" (229mm) Polymer Drawer
 Taupe Drawer Pulls
Overall Dimensions: 44.7"H (1136mm) x 22.7"W (577mm) x 24.9"D (633mm)



SXRS1310L

SXRS1310L includes:
 42" H (1060mm) Mobile Shell with Mechanical Keylock (2 keys)
 (1) 3" (76mm) Polymer Drawer
 (3) 6" (152mm) Polymer Drawers
 (1) 9" (229mm) Polymer Drawer
 Taupe Drawer Pulls
Overall Dimensions: 41.7"H (1060mm) x 22.7"W (577mm) x 24.9"D (633mm)



SXRS3210L

SXRS3210L includes:

42" H (1060mm) Mobile Shell with Mechanical Keylock (2 keys)

(3) 3" (76mm) Polymer Drawers

(2) 6" (152mm) Polymer Drawers

(1) 9" (229mm) Polymer Drawer

Taupe Drawer Pulls

Overall Dimensions: 41.7"H (1060mm) x 22.7"W (577mm) x 24.9"D (633mm)



SXRS5510L

SXRS5510L includes:

42"H (1060mm) Mobile Shell with Mechanical Keylock (2 keys)

(5) 3" (76mm) Polymer Drawers

(1) 6" (152mm) Polymer Drawer

(1) 9" (229mm) Polymer Drawer

Taupe Drawer Pulls

Overall Dimensions: 41.7"H (1060mm) x 22.7"W (577mm) x 24.9"D (633mm)



SXRS1220L

SXRS1220L includes:

45"H (1136mm) Mobile Shell with Mechanical Keylock (2 keys)

(1) 3" (76mm) Polymer Drawer

(2) 6" (152mm) Polymer Drawers

(2) 9" (229mm) Polymer Drawers

Taupe Drawer Pulls

Overall Dimensions: 44.7"H (1136mm) x 22.7"W (577mm) x 24.9"D (633mm)



SXRS4210L

SXRS4210L includes:

45"H (1136mm) Mobile Shell with Mechanical Keylock (2 keys)

(4) 3" (76mm) Polymer Drawers

(2) 6" (152mm) Polymer Drawers

(1) 9" (229mm) Polymer Drawer

Taupe Drawer Pulls

Overall Dimensions: 44.7"H (1136mm) x 22.7"W (577mm) x 24.9"D (633mm)



SXRS6110L

SXRS6110L includes:

45"H (1136mm) Mobile Shell with Mechanical Keylock (2 keys)

(6) 3" (76mm) Polymer Drawers

(1) 6" (152mm) Polymer Drawer

(1) 9" (229mm) Polymer Drawer

Taupe Drawer Pulls

Overall Dimensions: 44.7"H (1136mm) x 22.7"W (577mm) x 24.9"D (633mm)



SXRS0320L

SXRS0320L includes:

48"H (1212mm) Mobile Shell with Mechanical Keylock (2 keys)

(3) 6" (152mm) Polymer Drawers

(2) 9" (229mm) Polymer Drawers

Taupe Drawer Pulls

Overall Dimensions: 47.7"H (1212mm) x 22.7"W (577mm) x 24.9"D (633mm)



SXRS2220L

SXRS2220L includes:

48"H (1212mm) Mobile Shell with Mechanical Keylock (2 keys)

(2) 3" (76mm) Polymer Drawers

(2) 6" (152mm) Polymer Drawers

(2) 9" (229mm) Polymer Drawers

Taupe Drawer Pulls

Overall Dimensions: 47.7"H (1212mm) x 22.7"W (577mm) x 24.9"D (633mm)



SXRS3310L

SXRS3310L includes:

48"H (1212mm) Mobile Shell with Mechanical Keylock (2 keys)

(3) 3" (76mm) Polymer Drawers

(3) 6" (152mm) Polymer Drawers

(1) 9" (229mm) Polymer Drawer

Taupe Drawer Pulls

Overall Dimensions: 47.7"H (1212mm) x 22.7"W (577mm) x 24.9"D (633mm)



SXRSDIFAIR
Difficult Airway Cart

SXRSDIFAIR (DIFFICULT AIRWAY CART) includes:

54"H (1372mm) Mobile Shell with Passive Security Lockbar,
Security Drawer Tabs & Bag of 100 Security Seals
Extended Base Rotated 90° to the Right

(7) 6" (152mm) Polymer Drawers

(7) Drawer Divider Kits

(20) Label Holders

Slate Blue Drawer Pulls

Left Side

(2) Side Accessory Brackets

(1) 19" Peel Pouch Holder

(1) 28" Peel Pouch Holder

Right Side

(2) Side Accessory Brackets

Gas Tank Holder

Gas Tank Regulator Bracket

2-Scope Side-Mount Cabinet w/Locking Clear Door/2-keys

Overall Dimensions: 57.8"H (1469 mm) x 31"W (788mm) x 24"D (610mm)



SXRIVSTOR
Secure I.V. Cart

SXRIVSTOR (SECURE I.V. CART) includes:

60"H (1517mm) Mobile Shell

Clear 225° Right-Hinged Locking Door (Keylock/2 keys)

Slate Blue Door Pull

(3) Full-Extension Chrome Wire Shelves

(3) White Tote Boxes: 17 ½ x 22 ½ x 8" (384 x 514 x 203mm)

Overall Dimensions: 59.7"H (1517mm) x 22.7"W (577mm) x 27.9"D (709mm)



SXRDIVSTOR
Secure I.V. Cart

SXRDIVSTOR (SECURE I.V. CART) includes:

60"H (1517mm) Double-Wide Mobile Shell

Clear 225° Center-Closing Locking Door Set (Keylock/2 keys)

Slate Blue Door Pulls

(3) Double-Wide Full-Extension Chrome Wire Shelves

(6) White Tote Boxes: 17 ½ x 22 ½ x 8" (384 x 514 x 203mm)

Overall Dimensions: 59.7"H (1517mm) x 42 ½" W (1080mm) x 27.9"D (709mm)



SXRD43CM3

SXRD43CM3 includes:

45"H (1136mm) Double-Bay Non-Locking Mobile Shell

(4) 3" (76mm) Polymer Drawers

(6) 6" (152mm) Polymer Drawers

(2) 9" (229mm) Polymer Drawers

Slate Blue Pulls

Overall Dimensions: 44.7"H (1136mm) x 42.5"W (1080mm) x 24.9"D (633mm)



SXRDGS4

SXRDGS4 includes:

45"H (1136mm) Double-Bay Mobile Shell

Left Bay

(3) 3" (76mm) Polymer Drawers

(1) 6" (152mm) Polymer Drawer

(2) 9" (229mm) Polymer Drawers

Right Bay

(2) Poly Shelves

Solid 270° Right-Hinged Non-Locking Door

Slate Blue Pulls

Overall Dimensions: 44.7"H (1136mm) x 42.5"W (1080mm) x 24.9"D (633mm)



SXRD43CM4

SXRD43CM4 includes:

45"H Double-Wide, Single-Bay Mobile Shell

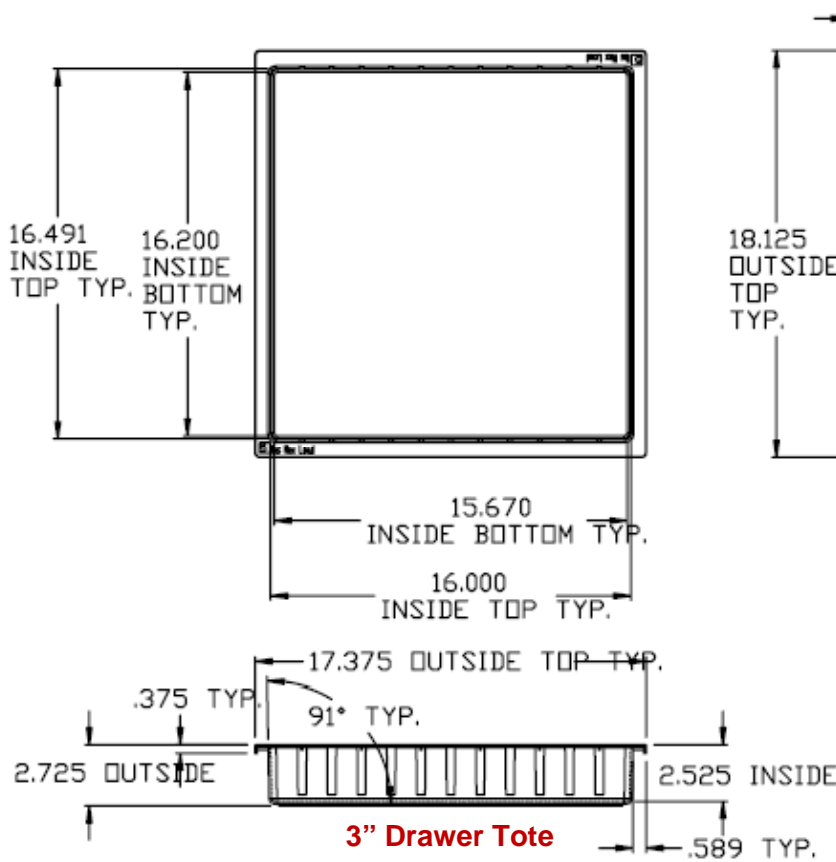
(2) Fixed Chrome Wire qwikSLOT Shelves

Solid 270° Center-Closing Non-Locking Door Set

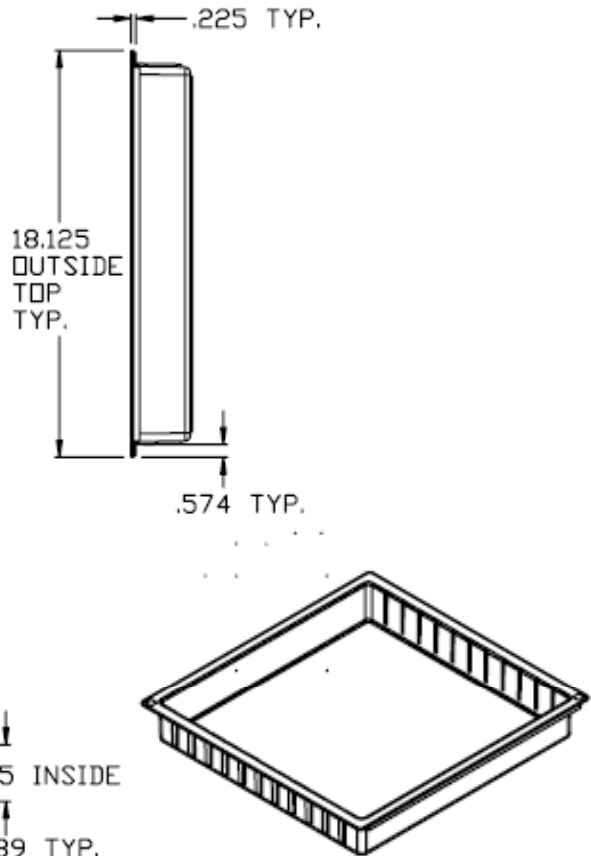
Slate Blue Door Pulls

Overall Dimensions: 44.7"H (1136mm) x 42.5"W (1080mm) x 27.9"D (709mm)

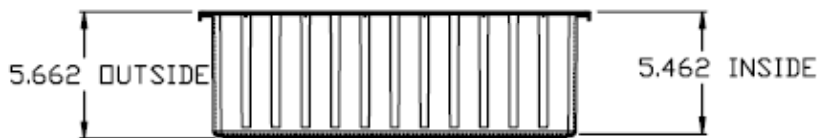
Standard Drawer Tote Specs



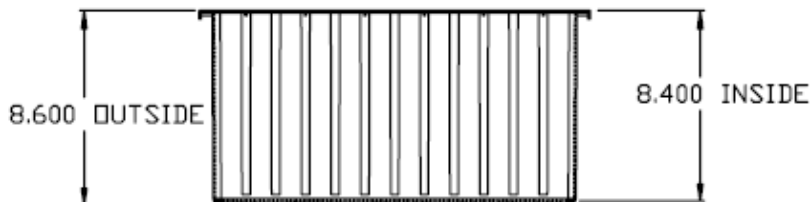
3" Drawer Tote



3" Drawer Tote



6" Drawer Tote



9" Drawer Tote



Weight Capacities:
 3" Tote = 25 lbs. (11.3Kg)
 6" & 9" Totes = 40 lbs. (18.1 Kg)

Heavy Duty Drawer Specs



Above: Double-Wide 3" Heavy Duty Drawer

Left: Single-Wide Heavy Duty Drawers

Inside Dimensions Metro Part #	Inches			Millimeters			Wt Capacity	
	H	W	D	H	W	D	Lbs	Kg
Single-Wide HD Drawers								
3" Heavy Duty Dwr	2.3	16.3	19.2	58	414	487	100	45.4
6" Heavy Duty Dwr	5.3	16.3	19.2	134	414	487	100	45.4
9" Heavy Duty Dwr	8.3	16.3	19.2	210	414	487	100	45.4
12" Heavy Duty Dwr	11.5	16.3	19.2	292	414	487	100	45.4
Double-Wide HD Drawers								
3" Heavy Duty Dwr	2.3	36.3	19.2	58	922	487	150	68
6" Heavy Duty Dwr	5.3	36.3	19.2	134	922	487	150	68
9" Heavy Duty Dwr	8.3	36.3	19.2	210	922	487	150	68
12" Heavy Duty Dwr	11.5	36.3	19.2	292	922	487	150	68

Construction: The drawer interior is composed of 16 and 18 gauge solid stainless steel. The drawer slides are full-extension, zinc-plated steel with chrome-plated ball bearings, and attach to qwikSLOT inserts. They have side lever releases and detents in the closed position. The slide travel distance is 20.75". The drawer front surface is composed of molded ABS polymer, colored in Metro Taupe. Snap-on handles ("pulls") attach above the top recessed area and are available in a variety of colors. Optional self-adhesive label holders positioned in the recessed area under the pulls are also offered.